



HAULMASTER 1500 & HAULMASTER-X

Pot Hauler *Drop Lines *Downrigger *Deep Dropping * Longlining

Congratulations on your new purchase & thank you for choosing LSM!

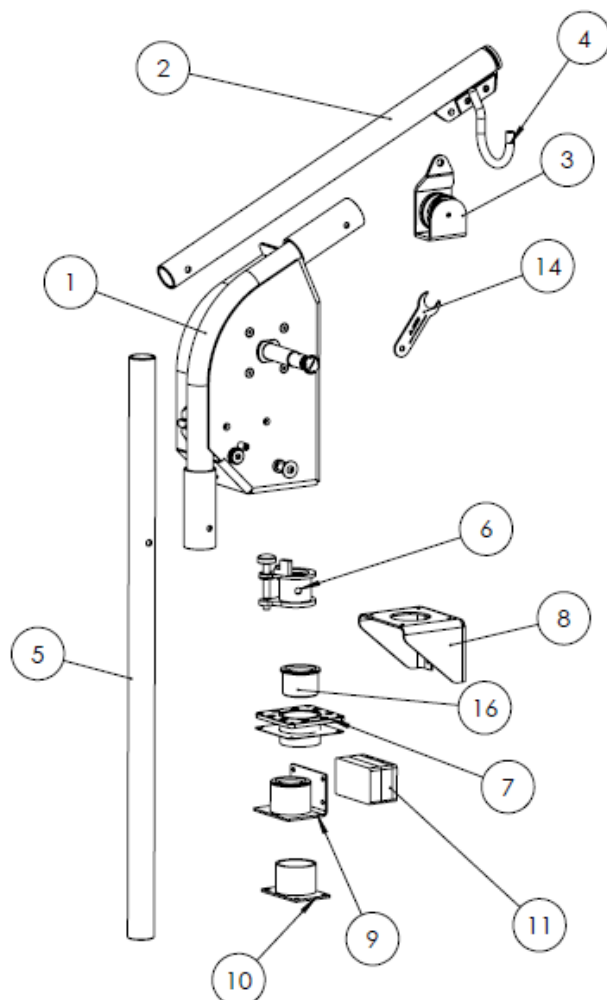
The HAULMASTER & HAULMASTER X are a modular unit capable of hauling pots, drop lines, down rigging, gurdy fishing, deep dropping, longlining, & more.

HAULMASTER 1500 features a single speed drive with 1500w output motor.

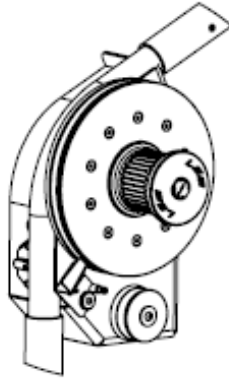
HAULMASTER X features a variable speed drive with 1500w output motor.

● **HAULMASTER 1500 Basic & HAULMASTER X Basic include:**

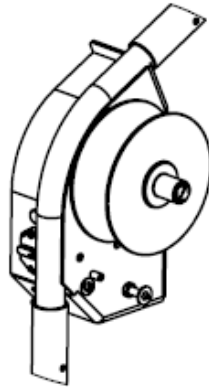
1. Main Unit
2. Boom
3. Folbe Sheave (closed sheave for DD model)
4. Aluminium Boom Hook
5. Frame Post
6. Position Lock
7. Top Mount
8. Gunnel Side Mount
9. Bottom Pocket Mount
10. Bottom Floor Mount
11. Bottom Mount Spacers
12. 10Ft Twin core lead with plug
(not pictured)
13. 2 x battery lugs and heat shrink
(not pictured)
14. Spool Changeover Tool
15. All Fixing Hardware (not pictured)
16. Mount Sleeve (x2)



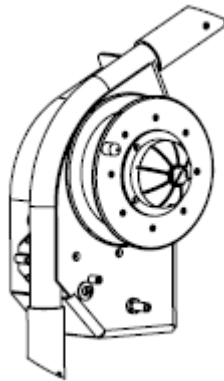
- **HAULMASTER 1500 PH & HAULMASTER-X PH**
– Basic plus Line Hauling Disk with Capstan, self-tailing rope catch, and tension roller



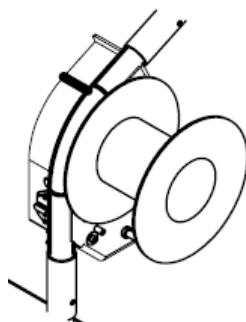
- **HAULMASTER 1500 DR & HAULMASTER-X DR**
– Basic plus fixed HD spool (no drag) for down rigging/gurdie fishing



- **HAULMASTER 1500 DD & HAULMASTER-X DD**
– Basic plus 250mm aluminium fishing spool with drag (for braided line)



- **HAULMASTER 1500 LL & HAULMASTER-X LL**
– Basic Plus 330mm aluminium long line spool with drag (For Monofilament) and extended spool changeover tool

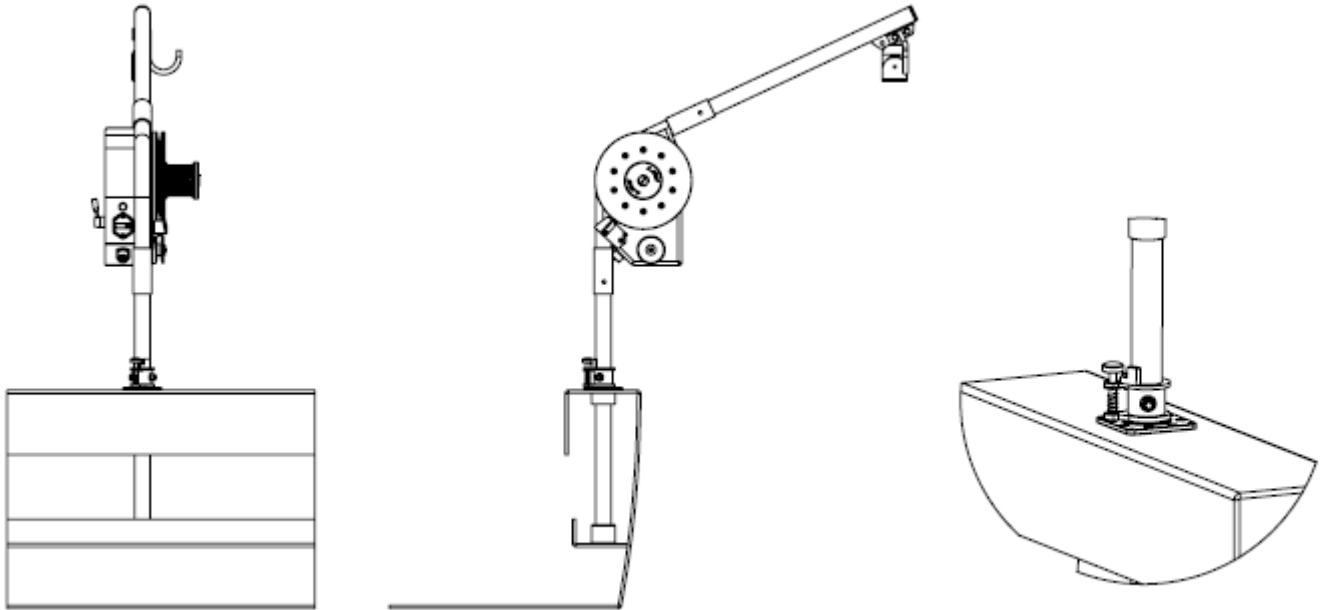


Installation

Tools Required: Power Drill, 80mm (3 inch) hole saw, 6mm, 8mm, 10mm, 12mm drill bit (can be half a mm larger), 10mm, 13mm, 17mm, 19mm wrench, swage or other means of crimping electrical leads.

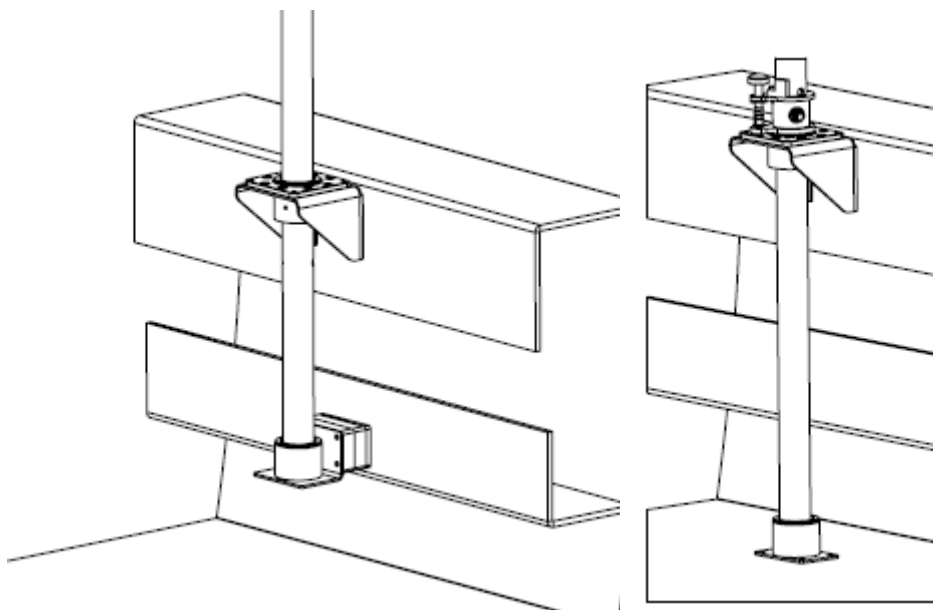
Through Gunnel Assembly

- **Mount Top Mount (7) assembly through gunnel.** If gunnel is sloped to one side pack up underside of top mount to ensure Frame Base (5) is perpendicular to the floor or pocket mount below.
- **Line up Bottom Floor Mount (10) and bolt to floor or bottom of pocket.**
- **Place Mount Sleeve (16) in both assembly's and tighten fixing bolts on the side to affix sleeve to holder.**



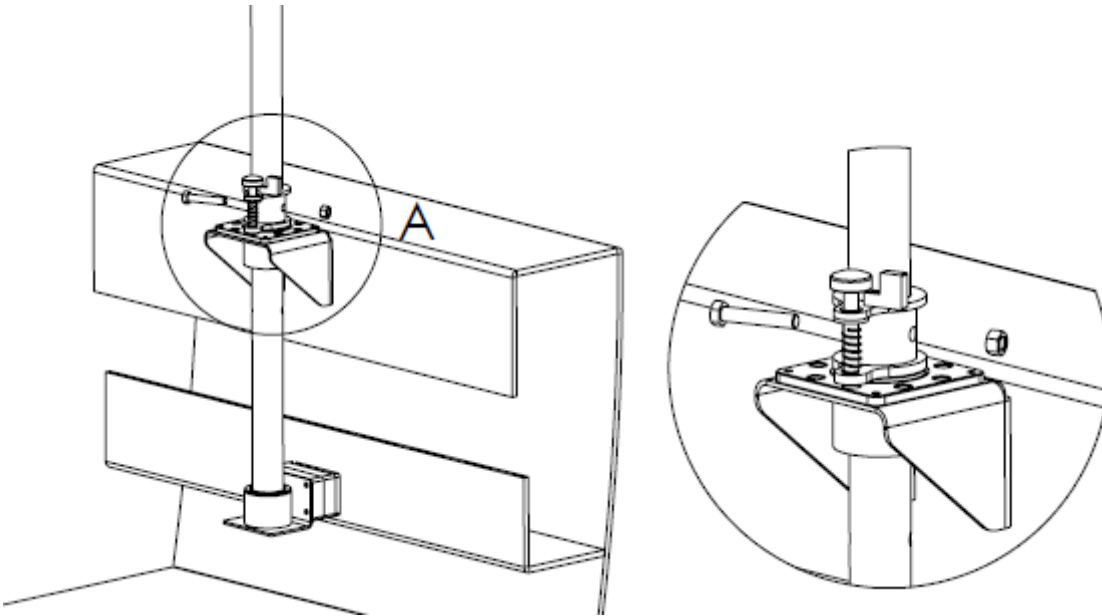
Inside Gunnel Assembly

- **Bolt Gunnel Side Mount (8) assembly inside gunnel**
- **Mount Top Mount (7) assembly to Gunnel Side Mount**
- **Line Up Bottom Pocket Mount (9) or Bottom Floor Mount (10) to floor or pocket.**
- **Use Bottom Mount Spacers (11) to pack out Bottom Pocket Mount if required.**

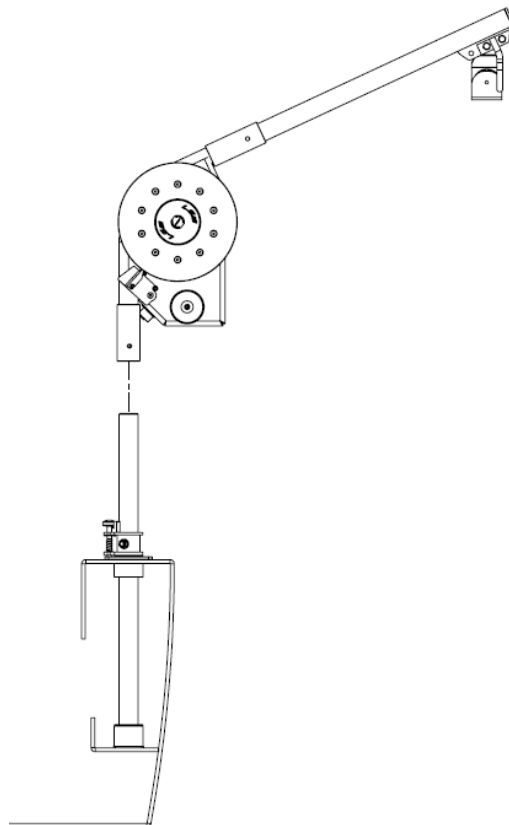


Position Lock Assembly

- Drop Frame Post (5) through top mount into bottom mount ensuring frame post is resting on the bottom of the low mount *Black plastic cap should be on the bottom
- Slide Position Lock (6) onto frame post ensuring locking pin is in the down position and seated in a hole.
- Mark where Position Lock holes are to be drilled.
- Drill Position Lock holes through Frame Post with 12mm drill bit. It may be beneficial to drill one side first, insert the bolt half way, then mark and drill the other side.

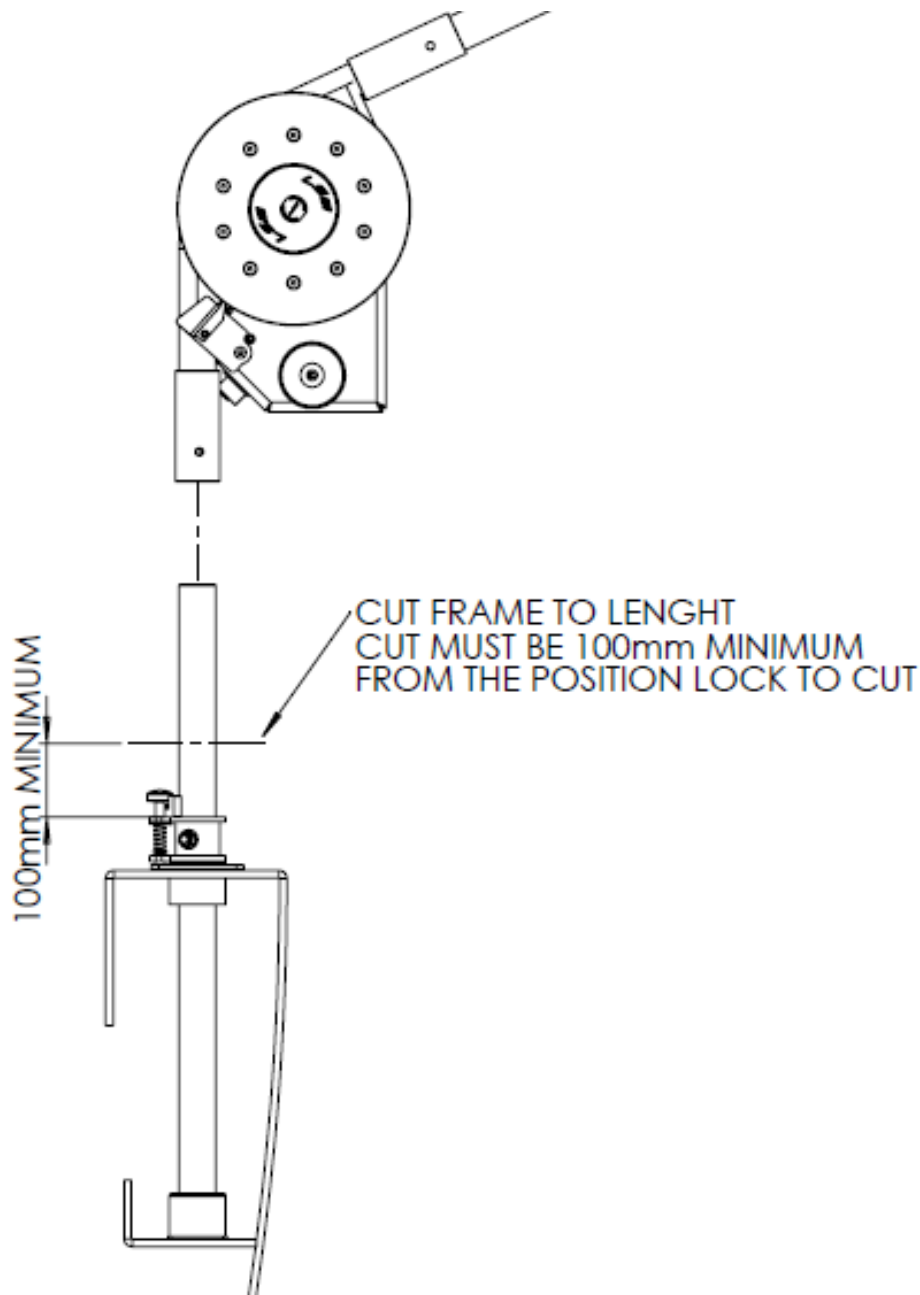


- Secure Position Lock onto frame post with 12mm x 80 bolt and nut.
- Slide HAULMASTER body onto frame post.

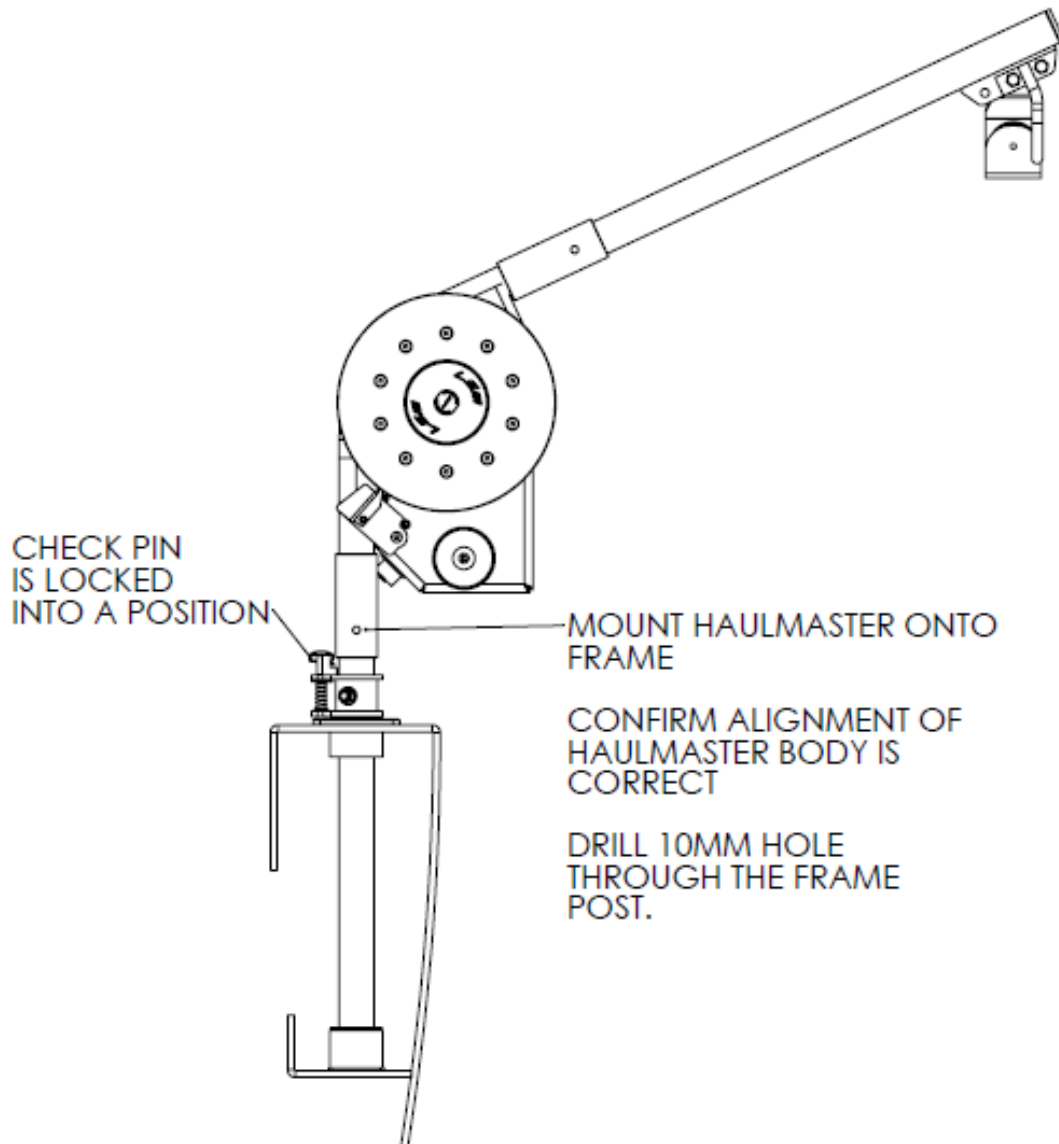


Change Frame & Boom Length

- Frame post can be shortened to ensure the HAULMASTER body sits at an appropriate height for your usage.
- To do this, measure the distance you would like to remove from Frame Post and cut with a hacksaw. ***DO NOT CUT SHORTER THAN 4 INCHES (100MM) ABOVE PIVOT LOCK**
- Cut Frame Post then clean edges of cut with sandpaper provided.



- Slide HAULMASTER body back onto Frame Post.
- Position body to the orientation you prefer.
- Mark where holes are to be drilled through Frame Post to connect the frame to unit.
- Drill holes with 10mm drill *Note it may be beneficial to do this one side at a time, marking and drilling one hole, slide the bolt halfway in, then marking and drilling the other side.



- Secure with PTO clip or bolt provided. Use PTO clip if you intended to disassemble the unit between uses. Use bolts if intending to leave the unit as an assembly.
- Insert Boom (2) into top collar.
- Cut length if desired and repeat above process

Electrical

HAULMASTER is a self-contained unit with all switches, controller/solenoid, & circuit breaker inside the unit. As such the only wiring required is configuring the 16ft (5m) twin core lead included.

This lead has a plug on one end. This plug end should be stored in a dry place when not in use. ***DO NOT LEAVE THE LEAD PLUGGED IN INDEFINATLY.**

Always remove the plug when not in use.

Lead Installation

- Cut to desired length & permanently mount the lead directly to a battery with the lugs provided.
- Ensure the plug can be stored in a dry place when not in use, such as high under the gunnel or behind a rear seat.

Using the HAULMASTER

- Ensure the direction knob is in the STOP (middle) position.
- Plug lead into unit.
- Ensure the circuit breaker is engaged by pushing the yellow paddle up.
- Engage drive by pressing the power button above the circuit breaker. When the red light is on the unit is ready to use.

HAULMASTER PP-Rope Hauling with the Block

- Run rope over Folbe open sheave or aluminium hook, then under tension wheel and over the line hauling block.
- Ensure line coiler is in the UP position.
- Pull power lever towards you to bring rope in, away from you to let rope out. *Note our block is designed to grip rope. It will not slide out when the unit is stopped.

HAULMASTER PP-Rope Hauling with the Capstan

- Run rope over Folbe open sheave or aluminium hook, then wrap around capstan over to under 2-3 times starting closest to the hauling block and wrapping outwards.
- Pull power lever toward you to bring rope in. To let rope out simply loosen your grip let it slide back over the capstan.

HAULMASTER DR-Down Rigging/Gurdie Fishing

- This is a set spool with no drag.
- Line should be loaded over the top of the spool and used with the Folbe open sheave.
- Pull power lever towards you to raise line, away from you to drop line.

HAULMASTER DD-Deep Dropping with braided line

- Braid capacity 1500m of .65mm braid (Appr 1650 yards of 150lb braid)
- This spool has a clutch system with drag.
- Line should be loaded over the top of the spool & used with the Folbe closed sheave.
- To release line turn the drag knob counter-clockwise.
- Thumb the side of the spool when free spooling line.
- To retrieve line pull the power lever towards you.

HAULMASTER LL-Longline & Greenstick Reel

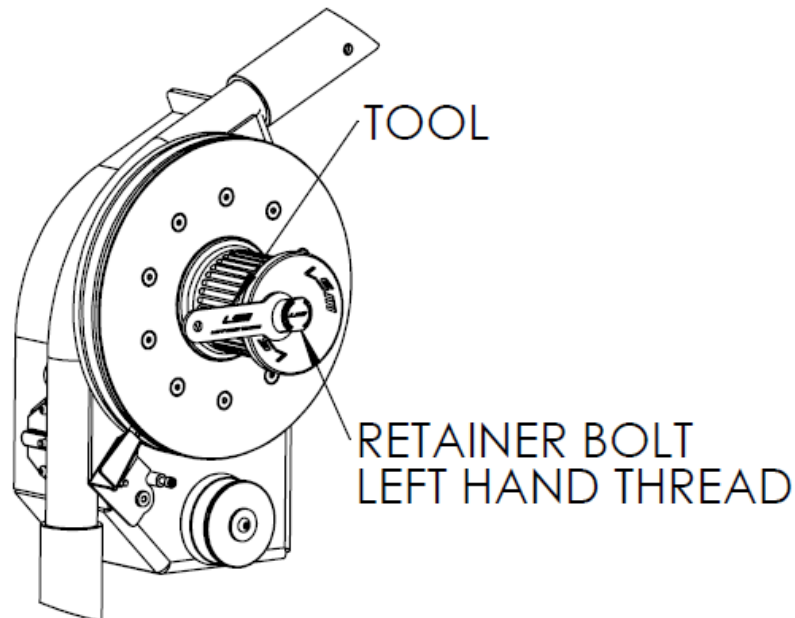
- Mono capacity of 1000m of 3mm monofilament (appr 1100 yards of 700lb mono)
- This oversized spool has a clutch system with drag.
- Line should be loaded over the top of the spool & Folbe open or closed sheave.
- To release line turn the drag knob counter-clockwise or power out.
- Thumb the side of the spool when freespooling line.
- To retrieve line pull the power lever towards you.

Changing Spools

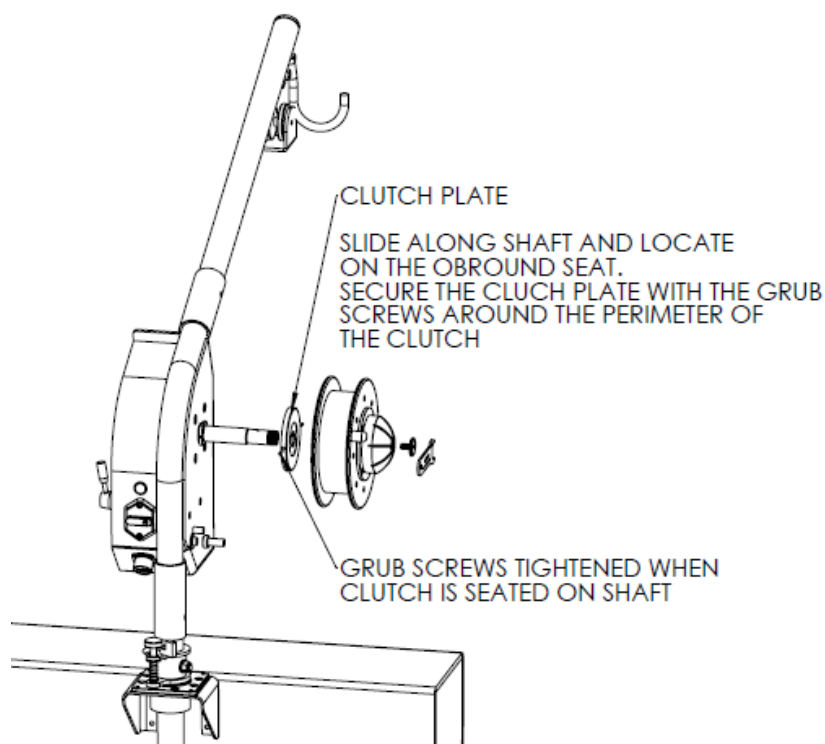
The HAULMASTER is a modular system and all 4 spools can be run from the same unit.

- PP block & DR downrigger spool are clutch less and slide onto the shaft with no additional plate.
- DD & LL spools use a clutch. This clutch plate must be installed to use.
- To change spools remove keeper bolt from the shaft with Tool (14) provided.

***Note this is a LEFT HAND THREAD. Bolt must be turned counter clockwise.**



- If interchanging from LL to DD spool or PP to DR spool simply slide one spool off and put the new one on.
- Replace keeper bolt.
- If changing between LL/DD to PP/DR spools, the clutch plate will have to added or removed. This fits over the key on the shaft and is held in place with 2 or 4 grub screws. A 2.5mm Allen key (provided) is required to add or remove the clutch plate.



Maintenance

The HAULMASTER is a sealed unit that can provide a lifetime of service. Here are some tips to improve use & longevity.

- Do not leave the power plug in indefinitely. Power plug should be removed at the end of the day and rubber cap placed back over the inlet.
- Store plug in a dry place away from water spray when not in use.
- Ensure the plug side of the unit (with circuit breaker and on/off button) are away from direct water spray.
- Dry the exterior of the unit off before storing.
- Remove the locking bolt & spool once annually and clean any salt build up.
- If using as a DD or LL application, remove the locking bolt and drag hub once annually and grease the threads on the shaft.
- Apply thin oil (not grease) to bearing inside DD & LL spool hub annually.
- Do not grease drag washers in DD & LL drag plate, run these dry.

Warranty

Warranty begins from dated proof of purchase. Keep your receipt.

The HAULMASTER features a 5 year recreational (3 year commercial) Warranty. The motor, gearbox, solenoid, switch gear, and main sheave are covered against normal wear and use. Warranty does not cover Poly inner sheave ring, drag plates, bearing in drag knob, electrical cable, or plugs. Warranty does not cover damage from faulty installation, use of undersized cable, or damage caused due to faulty power supply. Do not open the unit without prior written consent.

Use this product at your own risk

Lone Star Marine or its distributors will not be liable in the event of damage, accident, injury, or death as the result of use, misuse or installation of this product. Lone Star Marine Pty Ltd or its distributors will not be liable in the event of damage, accident, injury, or death as the result of mechanical or electrical failure of this product. Always keep hands away from the winch and rope while in operation. LSM winches are very powerful and can cause serious injury if hands, fingers or other body parts are caught between the drum and cradle or caught up in the rope & chain. Please keep children and pets away from this product while in use.

All Questions or Claims to info@hammermarine.com (North America)
sales@lonestarmarine.com.au (Everywhere else)

We appreciate your business! Please feel free to call or email with questions or feedback at any time.

Thank You for helping to keep Australia Manufacturing 

